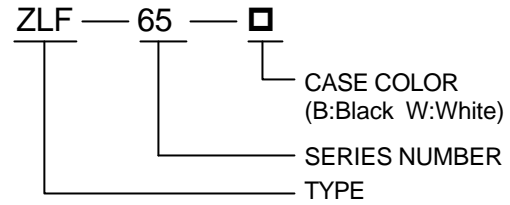


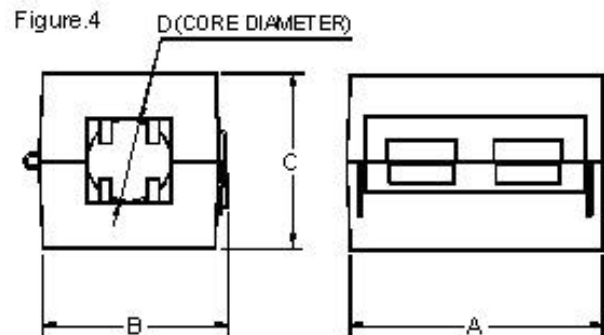
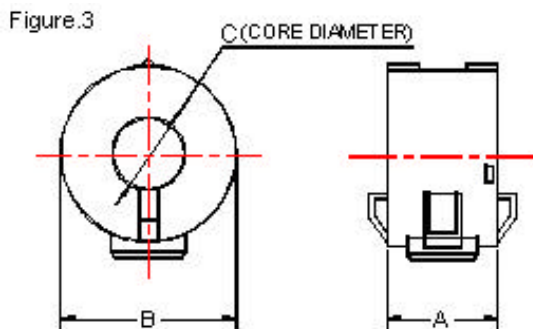
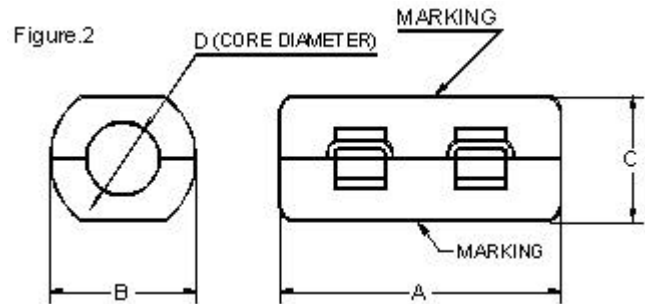
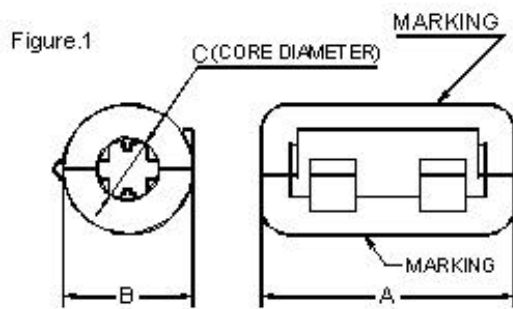
EMI Cores / ZLF Type with plastic case



Product Identification



Shapes and Dimensions



Dimensions

Unit: mm

ig	Part No	A	B	C	D	Z (W) Min		Remark
						25 MHz	100 MHz	
1	ZLF-35	25.5 ± 1	15.0 ± 1	3.8 ± 1	-	50	80	0.65φ cable wire × 22cm × 1/2 TS
1	ZLF-50	29.2 ± 1	16.0 ± 1	5.3 ± 1	-	64	160	0.80φ cable wire × 22cm × 1/2 TS
1	ZLF-75	39.0 ± 1	20.0 ± 1	7.6 ± 1	-	100	190	0.80φ cable wire × 22cm × 1/2 TS
1	ZLF-90	43.5 ± 1	22.5 ± 1	9.3 ± 1	-	105	190	0.80φ cable wire × 22cm × 1/2 TS
2	ZLF-110	36.0 ± 1	20.5 ± 1	19.0 ± 1	11.0 ± 1	65	135	1.00φ cable wire × 22cm × 1/2 TS
3	ZLF-120	18.0 ± 1	28.0 ± 1	11.4 ± 1	-	150	320	0.80φ cable wire × 22cm × 1 1/2 TS
4	ZLF-65	32.0 ± 1	19.5 ± 1	19.0 ± 1	6.5 ± 1	120	220	0.80φ cable wire × 22cm × 1/2 TS
4	ZLF-100	33.0 ± 1	24.5 ± 1	23.0 ± 1	10.0 ± 1	90	205	0.80φ cable wire × 22cm × 1/2 TS
4	ZLF-130	32.0 ± 1	31.5 ± 1	30.0 ± 1	13.0 ± 1	90	205	0.80φ cable wire × 22cm × 1/2 TS