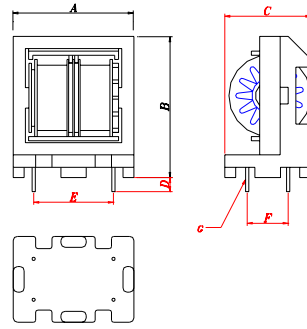


ET24 TYPE

Shapes and Dimensions

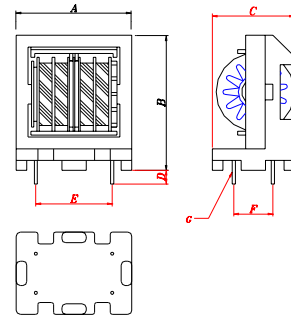


Dimensions in mm

A	B	C	D	E	F	G
26 ⁺⁰	31 ⁺⁰	19 ⁺⁰	4±1	13±0.5	10±0.5	0.8

ET28 TYPE

Shapes and Dimensions

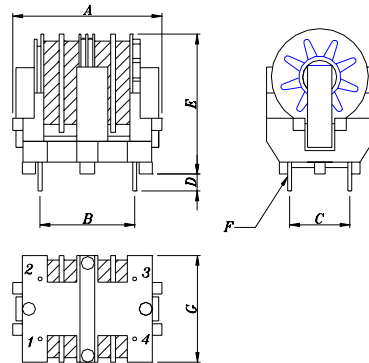


Dimensions in mm

A	B	C	D	E	F	G
31.5 ⁺⁰	35.5 ⁺⁰	22 ⁺⁰	4±1	13±0.5	10±0.5	0.8

UT20 TYPE

Shapes and Dimensions



Dimensions in mm

A	B	C	D	E	F	G
22 ⁺⁰	13±0.5	10±0.5	4±1	24 ⁺⁰	0.8	18 ⁺⁰

- Note: lead-free
- Customized specifications are welcome.