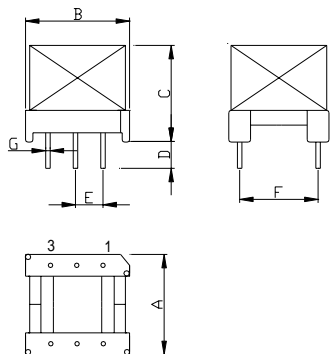


## Switching Mode Power Transformer

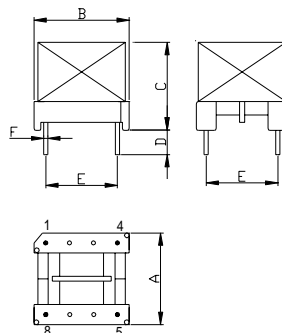
### EP7 TYPE



Dimensions in mm

A	B	C	D	E	F	G
8.5 <sup>+0</sup>	10.5 <sup>+0</sup>	10.5 <sup>+0</sup>	3.5±0.5	2.5±0.3	5.0±0.5	0.6±0.1

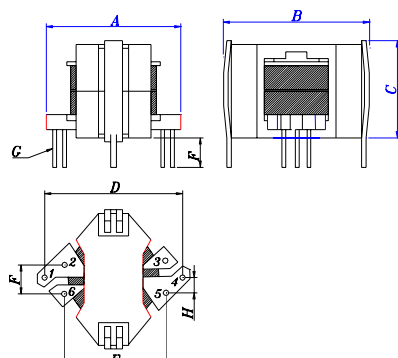
### EP10 TYPE



Dimensions in mm

A	B	C	D	E	F
11.5 <sup>+0</sup>	12.5 <sup>+0</sup>	12.5 <sup>+0</sup>	3.5±0.5	7.5±0.5	0.6 ±0.1

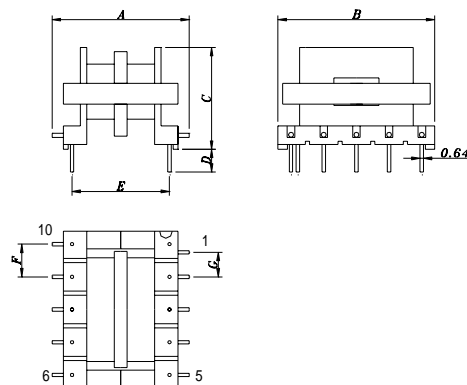
### RM6 TYPE



Dimensions in mm

A	B	C	D	E	F	G
20.2 ref	22 <sup>+0</sup>	13 <sup>+0</sup>	18±0.3	14.4±0.3	3.6±0.3	0.5

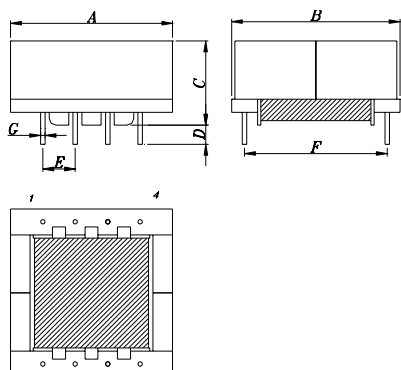
### EE25 TYPE



Dimensions in mm

A	B	C	D	E	F	G
26.5 <sup>+0</sup>	27.0 <sup>+0</sup>	26.0 <sup>+0</sup>	4.0±0.5	15.5±0.5	5.0±0.5	4.3±0.5

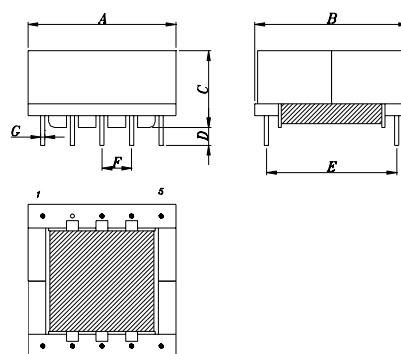
### EFD15 TYPE



Dimensions in mm

A	B	C	D	E	F	G
16 <sup>+0</sup>	17.5 <sup>+0</sup>	9 <sup>+0</sup>	3.5 <sup>-0</sup>	3.75±0.5	13.75±0.5	0.6

### EFD25 TYPE



Dimensions in mm

A	B	C	D	E	F	G
26 <sup>+0</sup>	27 <sup>+0</sup>	13.5 <sup>+0</sup>	4.0±0.5	22.5±0.5	5.0±0.5	0.7±0.1

- Note: lead-free
- Customized specifications are welcome.