

BCC Series



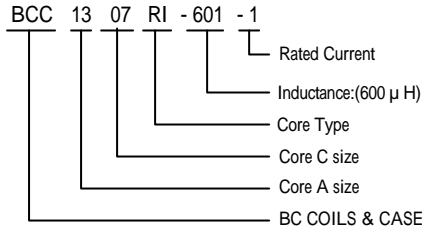
Feature

- Compact size and lightweight
- Excellent frequency characteristics

Applications

- For line filter of switching power supplies
- Countermeasures against static noise at power lines and signal lines
- For TVs, monitors and audio equipments
- For line filters of AC adapters, battery chargers, etc.

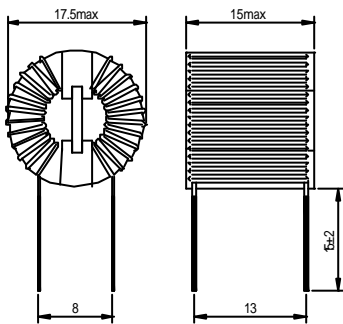
Product Identification



Electrical Specifications

Model	Inductance (mH) min.	Rated Current (A)	DC Resistance (mΩ/line) max.	Wire Size (mm )
BCC1307RI-601-1	0.6	1	60	0.4
BCC1307RI-102-1	1.0	1	70	0.4
BCC1307RI-202-1	2.0	1	100	0.4
BCC1307RI-302-1	3.0	1	120	0.4
BCC1307RI-502-1	5.0	1	150	0.4
BCC1307RI-702-1	7.0	1	200	0.4
BCC1307RI-601-2	0.6	2	50	0.5
BCC1307RI-102-2	1.0	2	60	0.5
BCC1307RI-202-2	2.0	2	70	0.5
BCC1307RI-302-2	3.0	2	85	0.45
BCC1307RI-502-2	5.0	2	95	0.45
BCC1307RI-601-3	0.6	3	30	0.6
BCC1307RI-102-3	1.0	3	35	0.6

Shapes and Dimensions



Unit: mm

- Inductance measurement condition: 1KHz HP-4263B
- CHILISIN has released lead-free products which are RoHS compliant, and the part number of lead-free products will be added "-N" after original one as identification. Ex: BCC1307RI-601-1-N
- Customized specifications are also welcome.

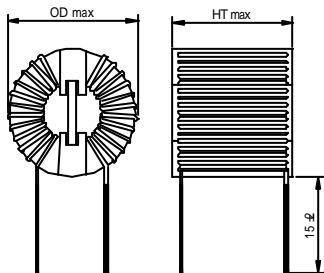
Product Identification

BCC2208RI-①-②

- ① : Inductance (Ex: L code 102 = 1mH)
- ② : Core Material (HF, MJ, HU)



Shapes and Dimensions



Dimensions in mm

Part No.	Case OD	Case HT
BCC1608RI-	17.5	12
BCC1810RI-	19.5	14
BCC2208RI-	23.5	12
BCC2513RI-	26.5	17
BCC3113RI-	32.5	17

- CHILISIN has released lead-free products which are RoHS compliant, and the part number of lead-free products will be added "-N" after original one as identification. Ex: BCC1608RI-102-HF-N
- Customer's specifications are also welcome.