

BCC Series



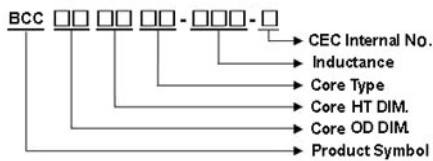
Feature

- Compact size and lightweight
- Excellent frequency characteristics

Applications

- For line filter of switching power supplies
- Countermeasures against static noise at power lines and signal lines
- For TVs, monitors and audio equipments
- For line filters of AC adapters, battery chargers, etc.

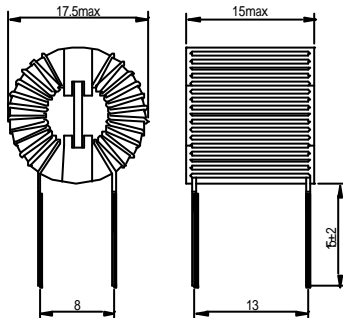
Product Identification



Electrical Specifications

Part Number	Inductance (mH) Min	Rated Current (A)	DC Resistance (mΩ/line)Max	Wire Size (mm)
BCC1307RI-601-N	0.6	1	60	0.4
BCC1307RI-102-N	1.0	1	70	0.4
BCC1307RI-202-N	2.0	1	100	0.4
BCC1307RI-302-N	3.0	1	120	0.4
BCC1307RI-502-N	5.0	1	150	0.4
BCC1307RI-702-N	7.0	1	200	0.4
BCC1307RI-601-N	0.6	2	50	0.5
BCC1307RI-102-N	1.0	2	60	0.5
BCC1307RI-202-N	2.0	2	70	0.5
BCC1307RI-302-N	3.0	2	85	0.45
BCC1307RI-502-N	5.0	2	95	0.45
BCC1307RI-601-N	0.6	3	30	0.6
BCC1307RI-102-N	1.0	3	35	0.6

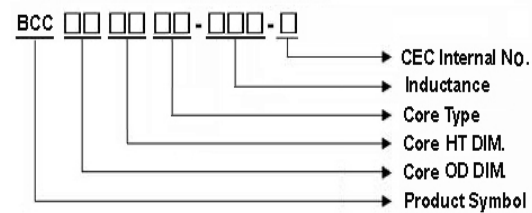
Shapes and Dimensions



Unit: mm

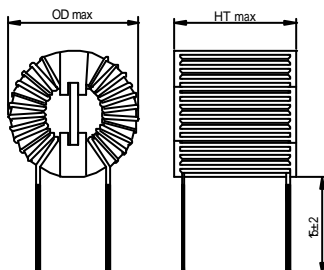
- Inductance measurement condition: 1KHz HP-4263B
- Note: lead-free
- Customized specifications are also welcome.

Product Identification



- Core Material (Mu-Zn)

Shapes and Dimensions



Dimensions in mm

Part Number	Case OD	Case HT
BCC1608RI-	17.5	12
BCC1810RI-	19.5	14
BCC2208RI-	23.5	12
BCC2513RI-	26.5	17
BCC3113RI-	32.5	17

- Note: lead-free
- Customer's specifications are also welcome.